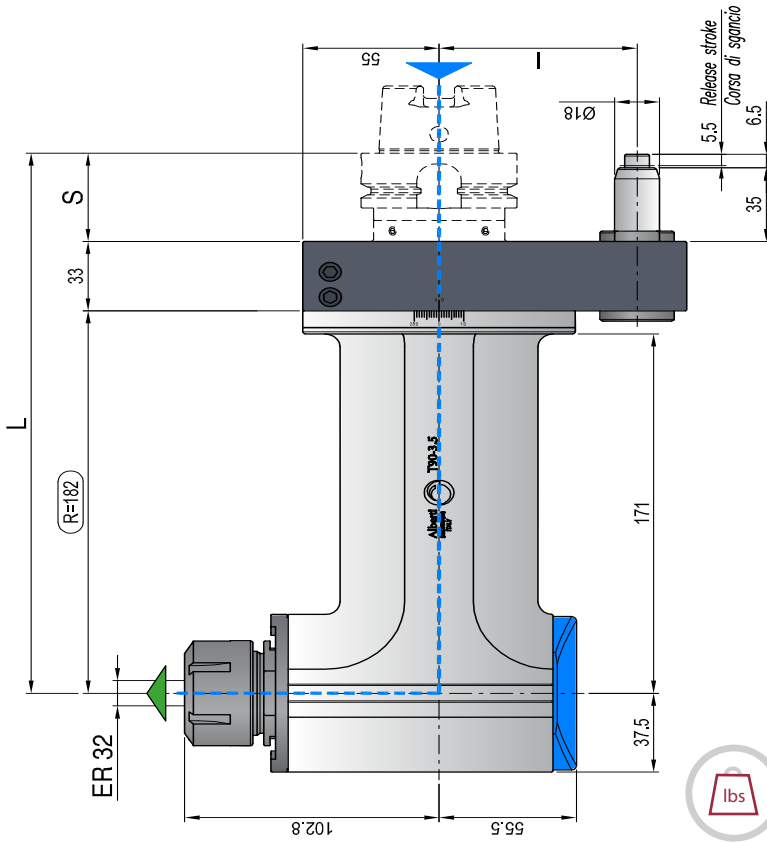


### Angle Head Dimensions

Reference Only • Detailed drawings available upon request



**Weight**  
29.04lbs

◀ Direction of rotation same as machine spindle

▶ Max coolant pressure 100bar, 1450 psi

- Also available without coolant.  
Maximum speed 5,000 min<sup>-1</sup>

### Technical Features



Ratio  
1.1



RPM  
8.000 min<sup>-1</sup>



Max. axial load  
1.250 N



Torque  
70 Nm



Tapping  
Max. M16



Collet  
ER-32  
(ø2/20 mm)

INPUT TAPER	SIZE	I	S	L
<b>DIN-69871</b>	50	80-110	35	250
<b>CAT</b>				
<b>MAS-BT</b>	50	80-110	41	250
<b>HSK</b>	63-80	80-110	42	257
	100	80-110	45	260
<b>CAPTO</b>	C6	80-110	38	253
	C8	80-110	40	255
<b>KM</b>	63	80-110	40	255

### PLUS

- Dry running also possible (5,000 min<sup>-1</sup>)
- Increased torque thanks to bigger gears
- New drive system with pins for gear set
- One-hand wrench to tighten the tool